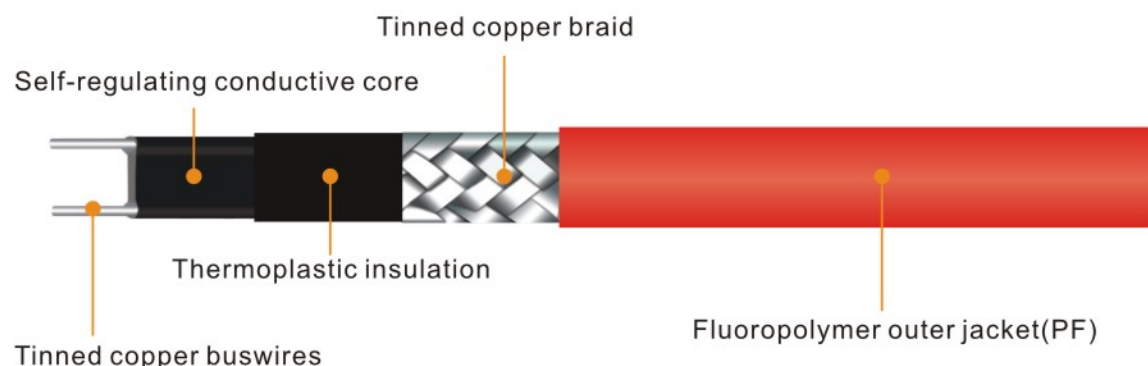


## Cable Construction



## Introduction

SSR Self Regulating Heating Cables provide the most versatility in heat trace designs and applications. Constructed of a semiconductive heater matrix extruded between parallel bus wires, a self-regulating cable adjusts its output to independently respond to ambient temperatures all along its length. As temperature increasing, the heater's resistance increases which lower the output wattage. Conversely, as the temperature decreasing, the resistance decreases and the cable produces more heat. So it does not need thermostat in some applications. It will never overheat or burnout even when wrapped by itself (overlapped). It can also be cut to any length. The result —an energy efficient heating cable.

## Technical data

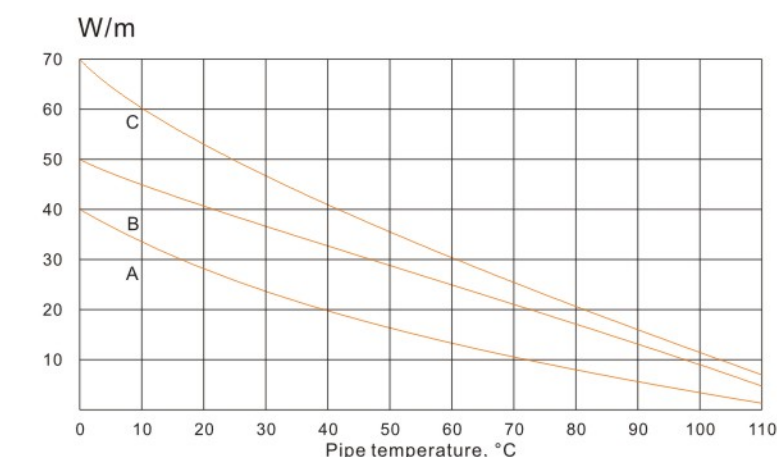
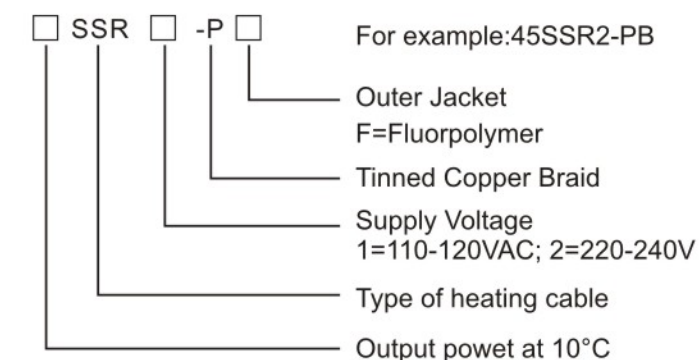
Output Wattage:	35, 45, 60(W/m)
Maximum maintain temperature:	110°C
Maximum exposure temperature:	150°C
Minimum installation temperature:	-40°C
Work voltage:	110V- 120V / 220-240V
<b>SSR Series:</b>	
SSR-P:	Tinned copper metal braid
SSR-PF:	Fluoropolymer outer jacket
Max resistance of braid	≤ 18.2Ω/km
Bus wire gauge	16AWG
Approvals:	CE PC

## Application

SSR is ideally used for process temperature maintenance and frost protection of large diameter pipelines, tanks, valves, flanges, and other industrial application where have high heat loss. It is suitable for hazardous area, also non-hazardous area and corrosive area can use products with fluoropolymer outer jacket.

## Power Output

Nominal	A	35PSR
output at 230 VAC	B	45PSR
@+10°C	C	60PSR



## Technical Summary

Part Number	Output power @ + 10°C (W/m)	Maximum maintain temperature (°C)	Max length @ +10°C 16/30A (m)	Max length @ + 0°C 16/30A (m)	Max length @ -20°C 16/30A (m)	Dimension (mm)	Weight (kg/100m)
35SSR-PF	35	110	75/100	65/90	45/60	13.3X6.1	12.5
45SSR-PF	45	110	60/85	50/75	35/50	13.3X6.1	12.5
60SSR-PF	60	110	50/70	40/60	30/45	13.3X6.1	12.5